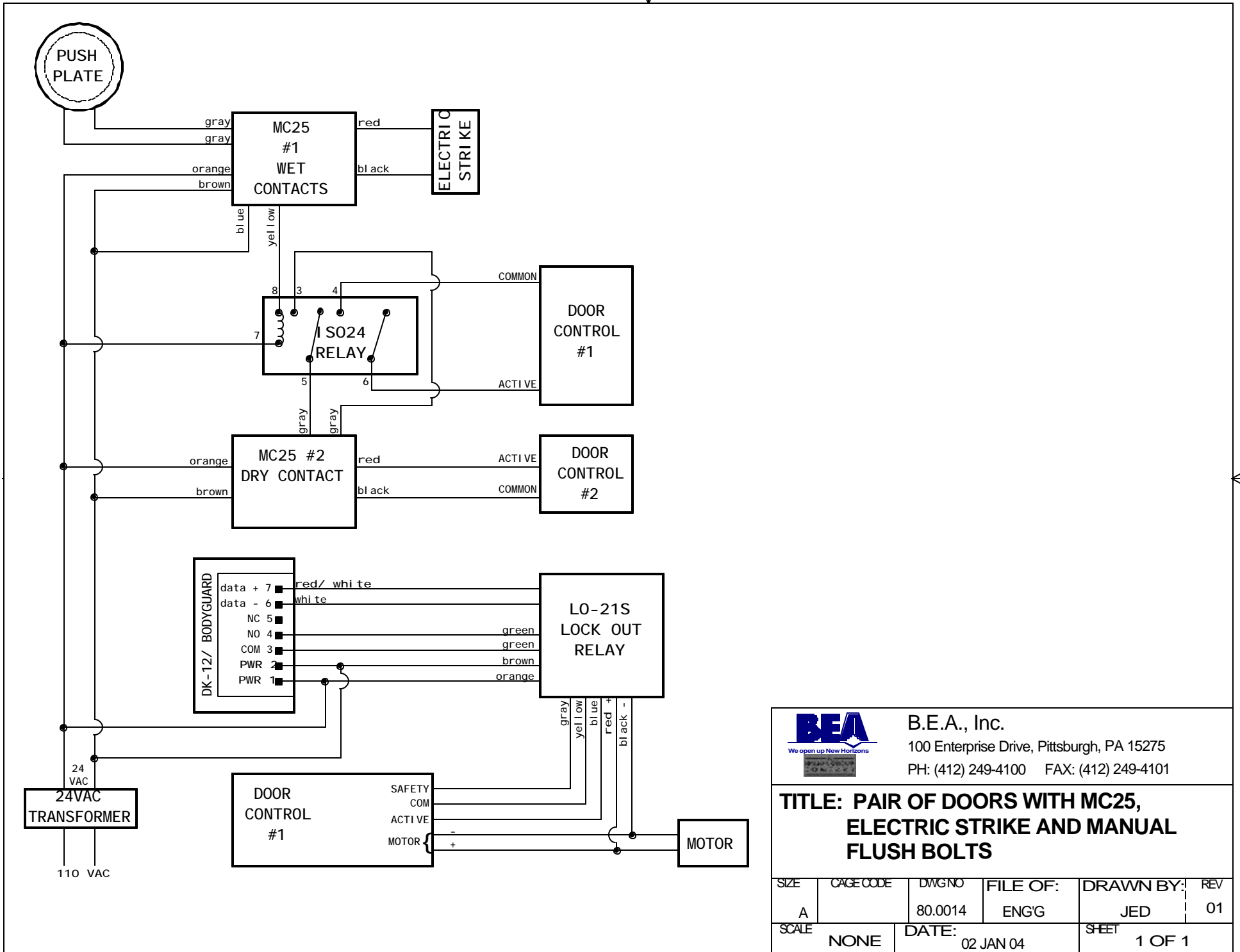


BEA
We open up New Horizons

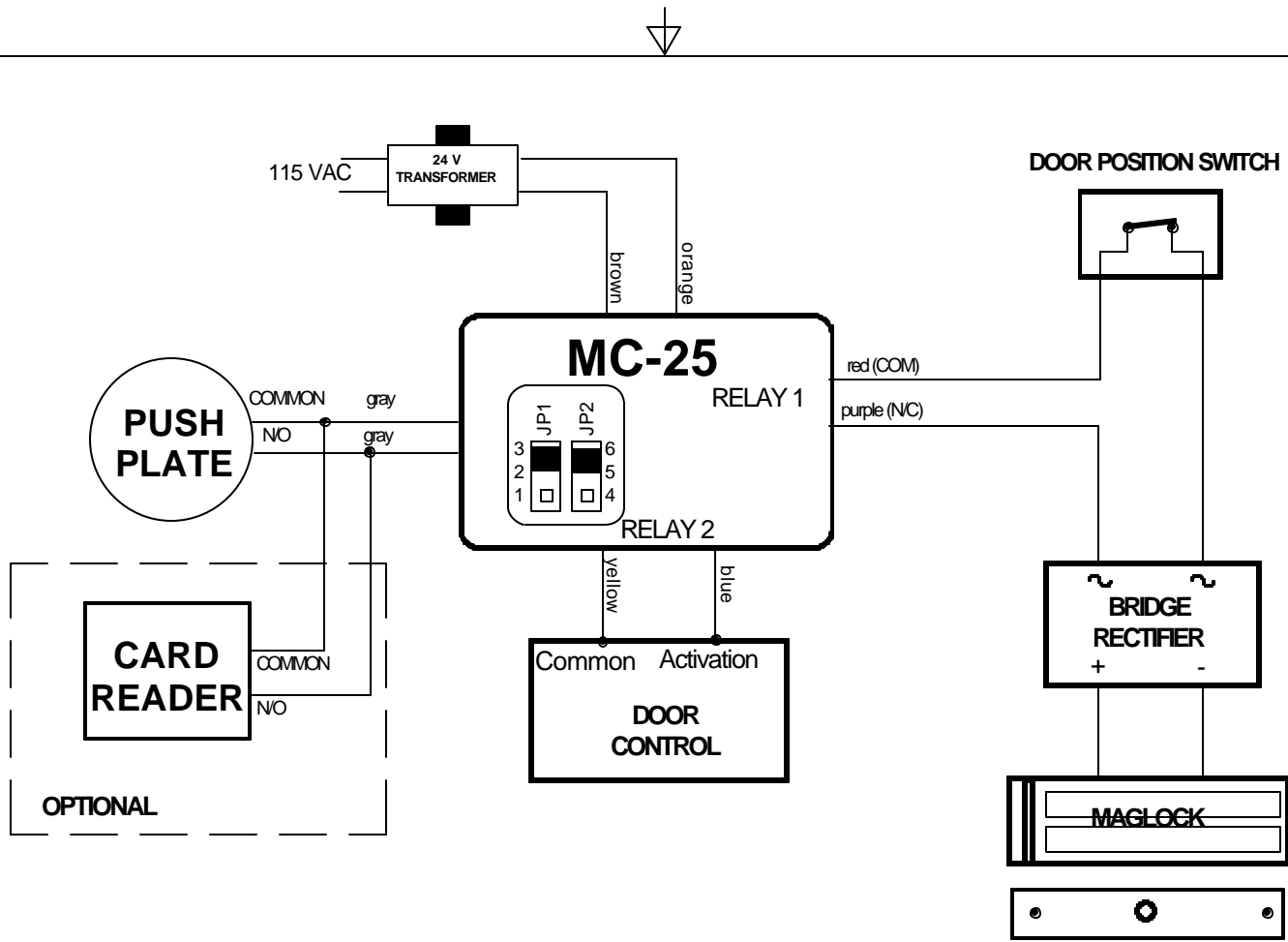
B.E.A., Inc.
100 Enterprise Drive, Pittsburgh, PA 15275
PH: (412) 249-4100 FAX: (412) 249-4101

**TITLE: DUAL MC-25's. Pair of doors w/
Electric Strike in the active leaf and
automatic flush bolts in the active leaf.**


SIZE A	CAGE CODE	DWG NO 80.0012	FILE OF: ENG'G	DRAWN BY: JED	REV 01
SCALE NONE	DATE: 02 JAN 04		SHEET 1 OF 1		

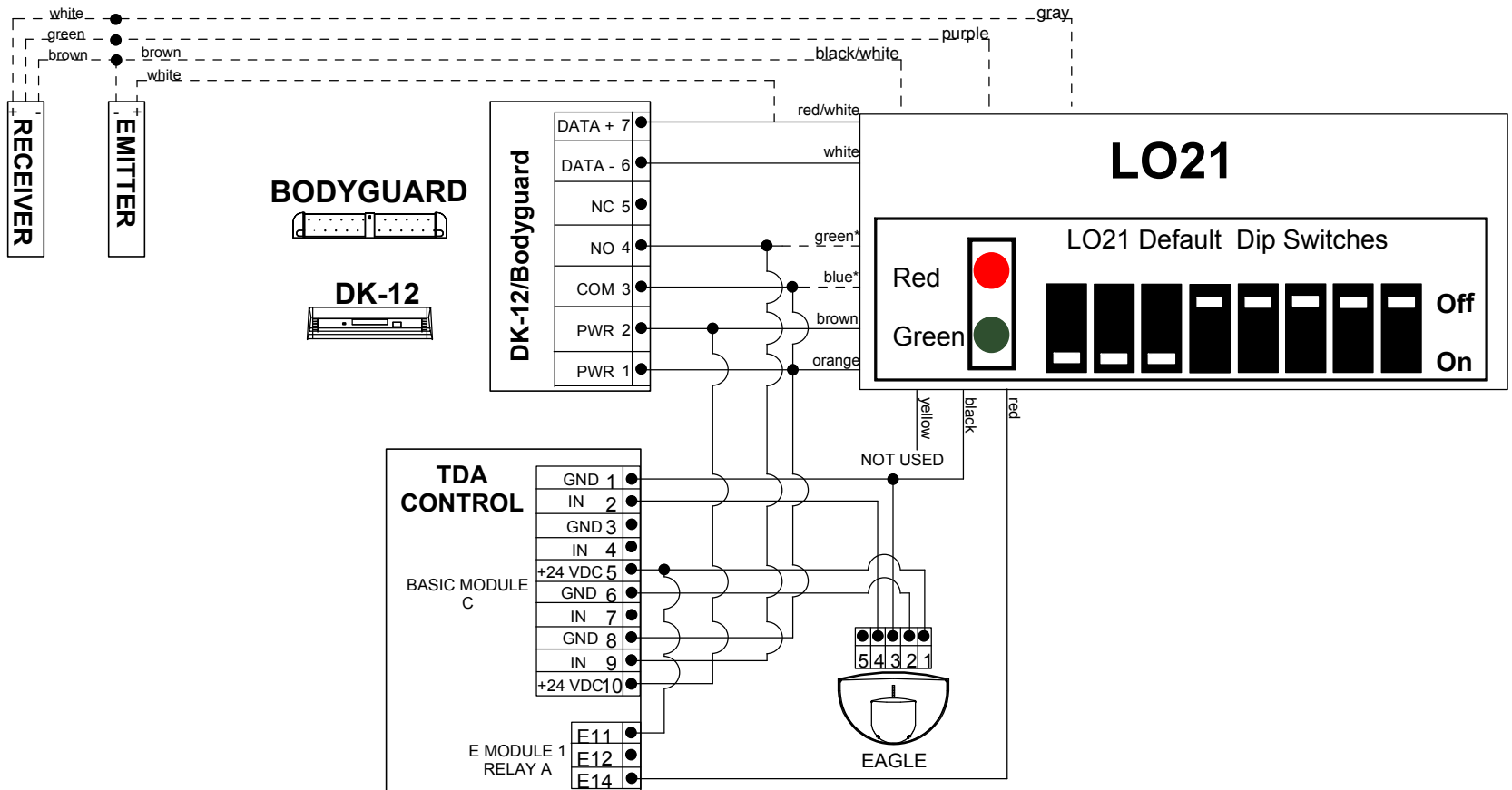


		B.E.A., Inc. 100 Enterprise Drive, Pittsburgh, PA 15275 PH: (412) 249-4100 FAX: (412) 249-4101			
TITLE: PAIR OF DOORS WITH MC25, ELECTRIC STRIKE AND MANUAL FLUSH BOLTS					
SIZE	CAGE CODE	DMGNO	FILE OF:	DRAWN BY:	REV
A		80.0014	ENG'G	JED	01
SCALE	DATE:		SHEET		
NONE	02 JAN 04		1 OF 1		



- NOTES: 1) JUMPERS JP1 & JP2 ARE PLACED ON PINS 2,3 AND 5,6 FOR WET CONTACTS.
 2) DOOR POSITION SWITCH CONTACTS CLOSED WHEN DOOR IS CLOSED.
 3) TRANSFORMER AND BRIDGE RECTIFIER CURRENT RATING MUST BE SUFFICIENT TO SUPPORT MC-25 AND MAGLOCK.
 4) BRIDGE RECTIFIER SUPPLIED BY OTHERS.

		B.E.A., Inc. 100 Enterprise Drive, Pittsburgh, PA 15275 PH: (412) 249-4100 FAX: (412) 249-4101			
TITLE: MC-25 WITH SAME POWER SUPPLY FOR MAGLOCK					
SIZE:	CAGE CODE:	DWG NO:	FILE OF:	DRAWN BY:	REV:
A		80.0015	ENGG	JED	01
SCALE:	DATE:		SHEET:		
NONE	02 JAN 04		1 OF 1		



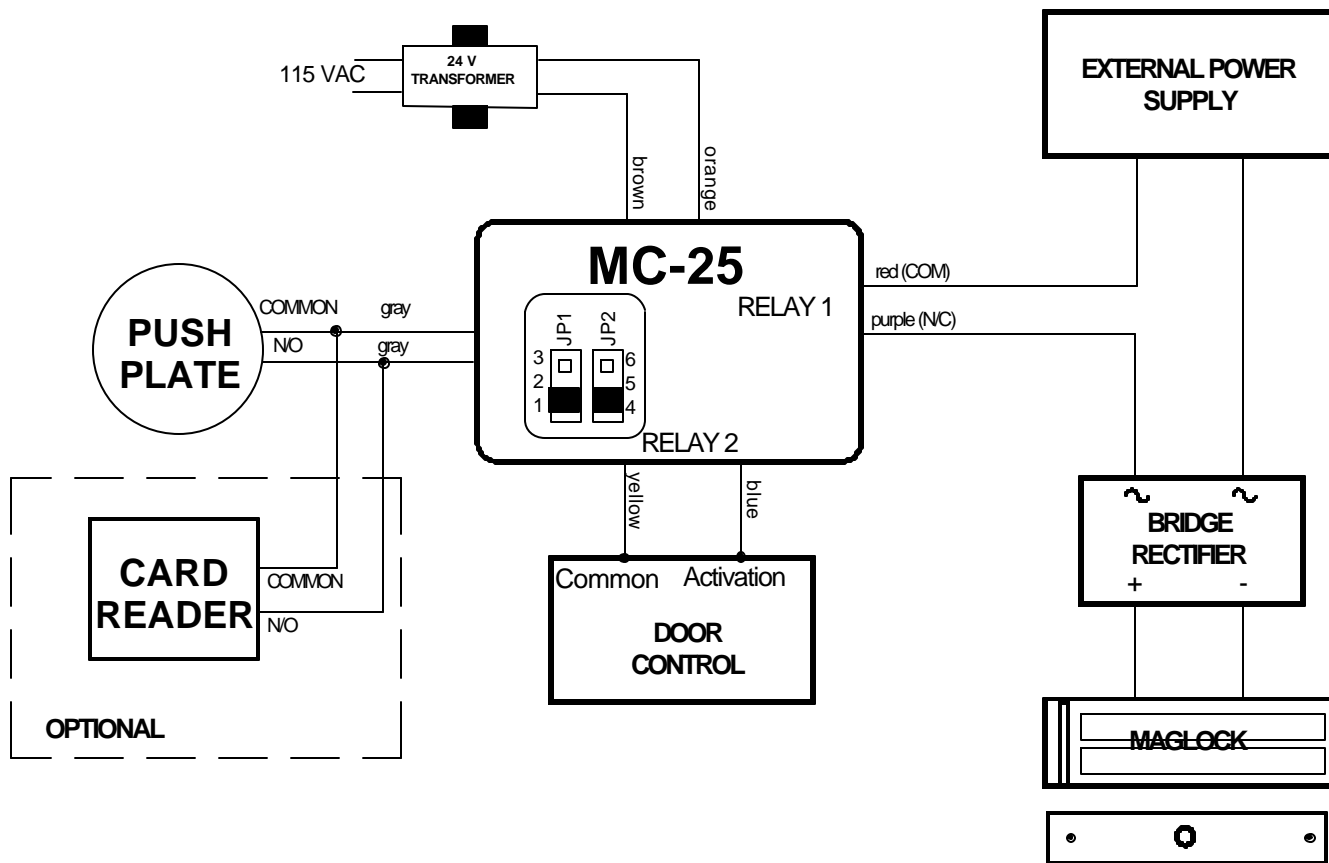
NOTE:
 Connect the dashed lines (green, blue, black/ white, purple & gray) ONLY if safety beams are used.
 If Dry Contact Safety Beams are used wire N.O. & Com. to purple & gray respectively.



B.E.A., Inc.
 100 Enterprise Drive Pittsburgh, PA 15275
 PH: (412) 249-4100 FAX: (412) 249-4101
www.beasensors.com

TITLE: TORMAX TDA SINGLE WITH
 DK-12/ BODYGUARD w/LO-21

SIZE:	CAGE CODE:	DWG NO:	FILE OF:	DRAWN BY:	REV:
A		80.0116_01	GDM	GDM	B
SCALE:	DATE:		SHEET:		
NONE	17 DEC 2001		1 OF 1		



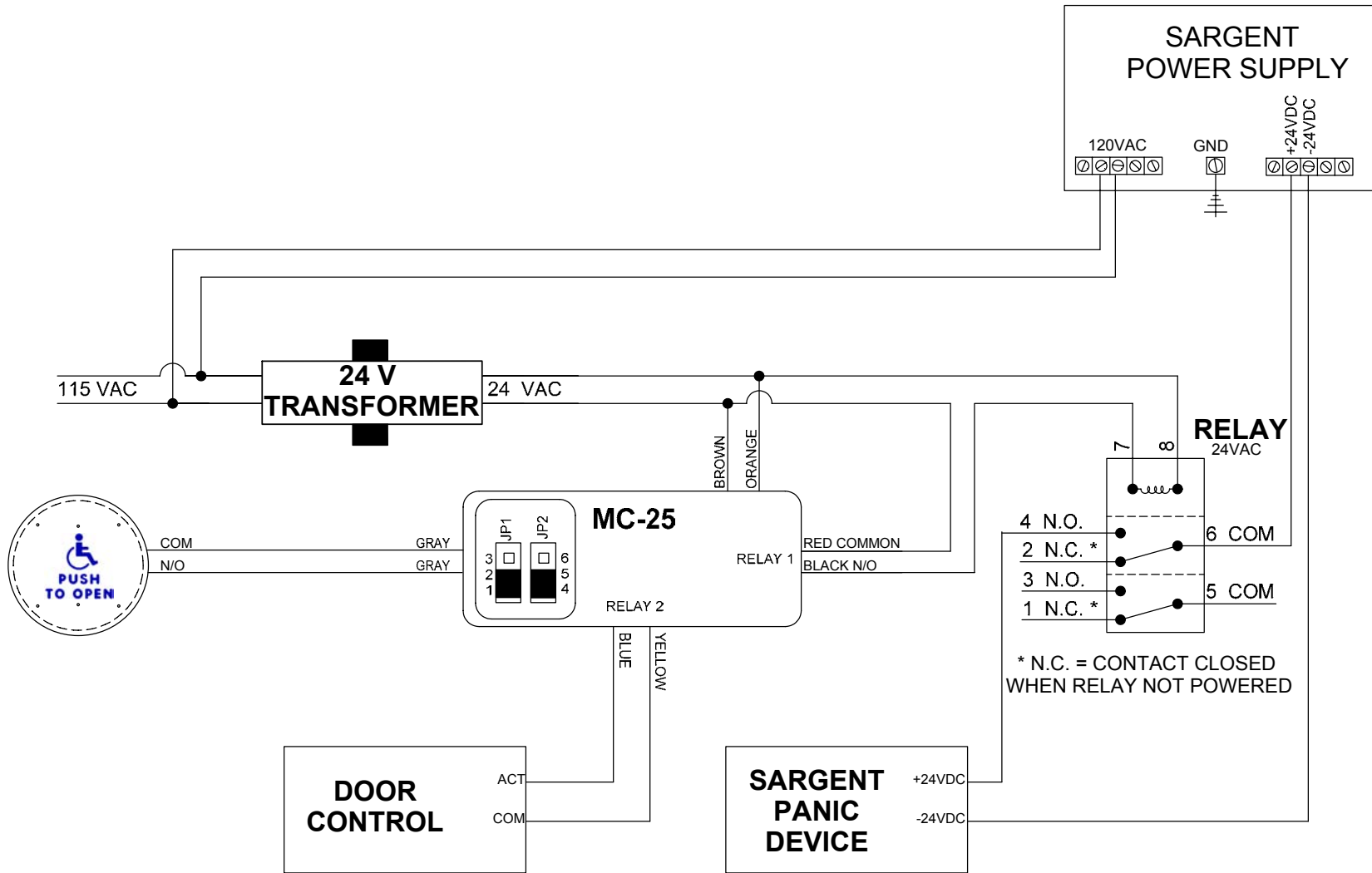
NOTES: 1) JUMPERS JP1 & JP2 ARE PLACED ON PINS 1,2 AND 4,5 FOR DRY CONTACTS.
 2) BRIDGE RECTIFIER SUPPLIED BY OTHERS.



B.E.A., Inc.
 100 Enterprise Drive Pittsburgh, PA 15275
 PH: (412) 249-4100 FAX: (412) 249-4101

TITLE: MC-25 WITH SEPERATE POWER SUPPLY FOR MAGLOCK

SIZE:	CAGE CODE:	DWG NO:	FILE OF:	DRAWN BY:	REV:
A		80.0017	ENG'G	JED	01
SCALE:	NTS	DATE:	02 JAN 04	SHEET:	1 OF 1

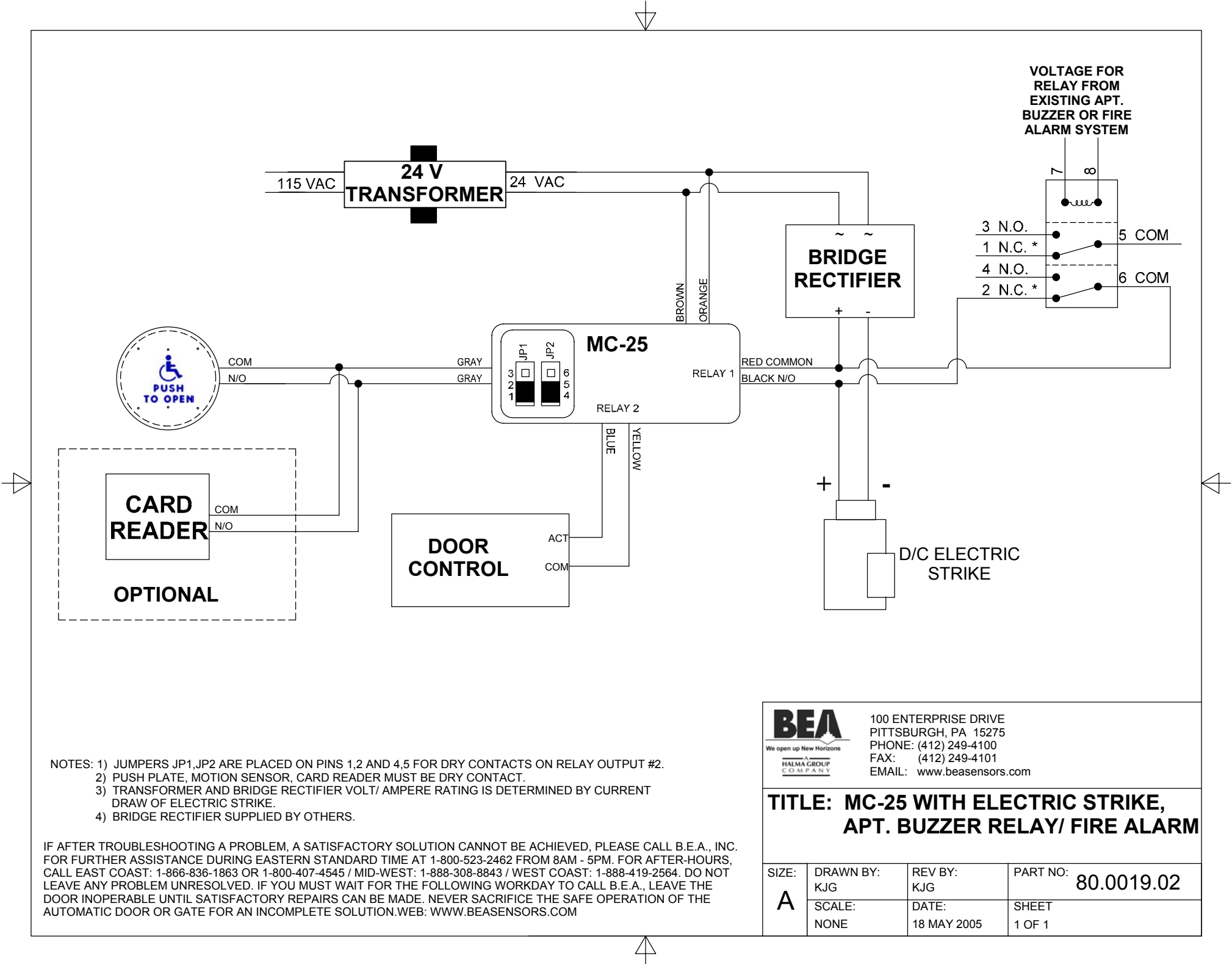


IF AFTER TROUBLESHOOTING A PROBLEM, A SATISFACTORY SOLUTION CANNOT BE ACHIEVED, PLEASE CALL B.E.A., INC. FOR FURTHER ASSISTANCE DURING EASTERN STANDARD TIME AT 1-800-523-2462 FROM 8AM - 5PM. FOR AFTER-HOURS, CALL EAST COAST: 1-866-836-1863 OR 1-800-407-4545 / MID-WEST: 1-888-308-8843 / WEST COAST: 1-888-419-2564. DO NOT LEAVE ANY PROBLEM UNRESOLVED. IF YOU MUST WAIT FOR THE FOLLOWING WORKDAY TO CALL B.E.A., LEAVE THE DOOR INOPERABLE UNTIL SATISFACTORY REPAIRS CAN BE MADE. NEVER SACRIFICE THE SAFE OPERATION OF THE AUTOMATIC DOOR OR GATE FOR AN INCOMPLETE SOLUTION.WEB: WWW.BEASENSORS.COM

BEA
 We open up New Horizons
 HALMA GROUP
 COMPANY
 100 ENTERPRISE DRIVE
 PITTSBURGH, PA 15275
 PHONE: (412) 249-4100
 FAX: (412) 249-4101
 EMAIL: www.beasensors.com

TITLE: MC-25 w/ SARGENT EL PANIC DEVICE & AUTOMATIC DOOR OPERATOR

SIZE: A	DRAWN BY: KJG	REV BY: KJG	PART NO: 80.0018.02
	SCALE: NONE	DATE: 17 MAY 2005	SHEET 1 OF 1



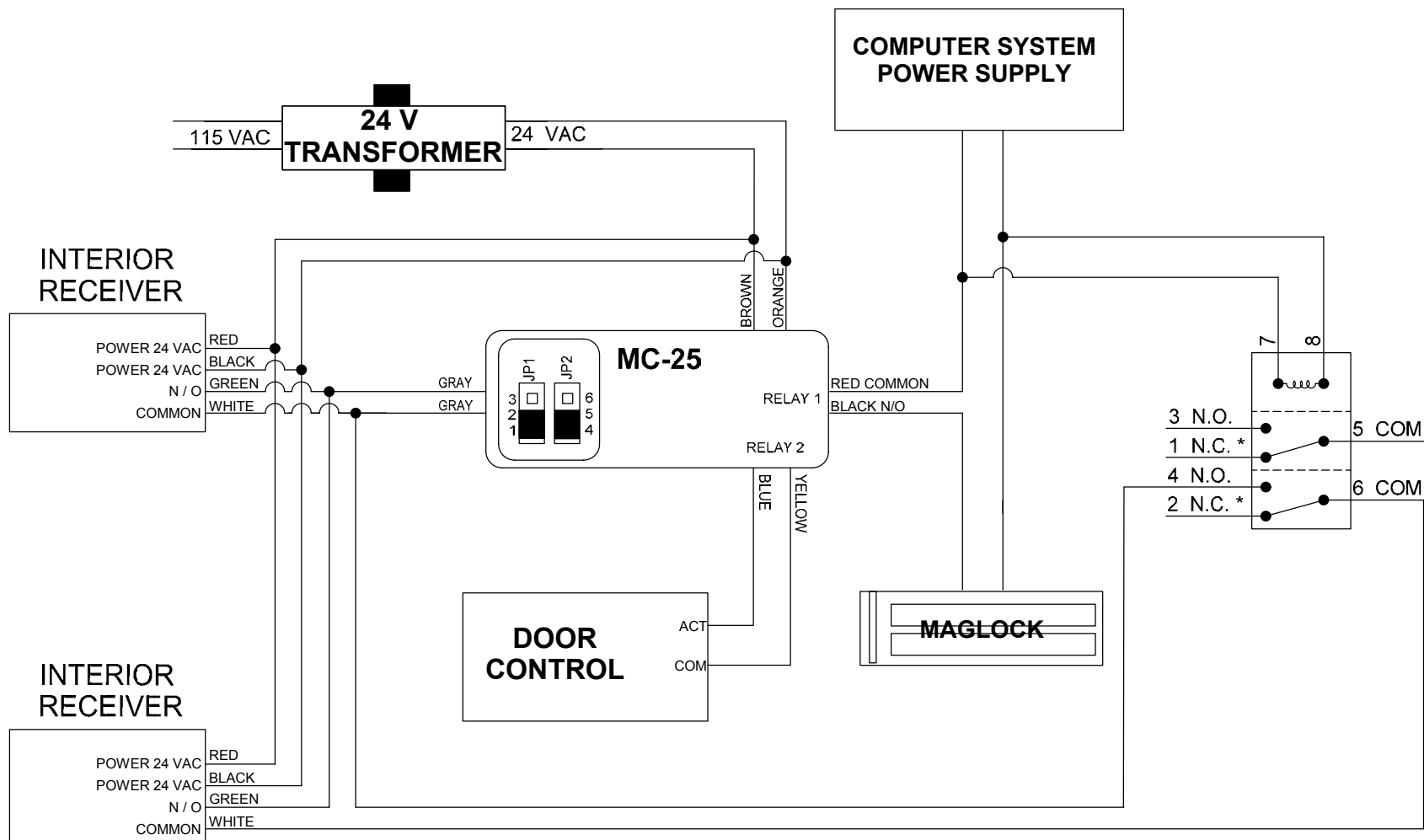
- NOTES: 1) JUMPERS JP1, JP2 ARE PLACED ON PINS 1,2 AND 4,5 FOR DRY CONTACTS ON RELAY OUTPUT #2.
 2) PUSH PLATE, MOTION SENSOR, CARD READER MUST BE DRY CONTACT.
 3) TRANSFORMER AND BRIDGE RECTIFIER VOLT/ AMPERE RATING IS DETERMINED BY CURRENT DRAW OF ELECTRIC STRIKE.
 4) BRIDGE RECTIFIER SUPPLIED BY OTHERS.

IF AFTER TROUBLESHOOTING A PROBLEM, A SATISFACTORY SOLUTION CANNOT BE ACHIEVED, PLEASE CALL B.E.A., INC. FOR FURTHER ASSISTANCE DURING EASTERN STANDARD TIME AT 1-800-523-2462 FROM 8AM - 5PM. FOR AFTER-HOURS, CALL EAST COAST: 1-866-836-1863 OR 1-800-407-4545 / MID-WEST: 1-888-308-8843 / WEST COAST: 1-888-419-2564. DO NOT LEAVE ANY PROBLEM UNRESOLVED. IF YOU MUST WAIT FOR THE FOLLOWING WORKDAY TO CALL B.E.A., LEAVE THE DOOR INOPERABLE UNTIL SATISFACTORY REPAIRS CAN BE MADE. NEVER SACRIFICE THE SAFE OPERATION OF THE AUTOMATIC DOOR OR GATE FOR AN INCOMPLETE SOLUTION. WEB: WWW.BEASENSORS.COM

BEA
 We open up New Horizons
 A HALMA GROUP COMPANY
 100 ENTERPRISE DRIVE
 PITTSBURGH, PA 15275
 PHONE: (412) 249-4100
 FAX: (412) 249-4101
 EMAIL: www.beasensors.com

**TITLE: MC-25 WITH ELECTRIC STRIKE,
 APT. BUZZER RELAY/ FIRE ALARM**

SIZE: A	DRAWN BY: KJG	REV BY: KJG	PART NO: 80.0019.02
	SCALE: NONE	DATE: 18 MAY 2005	SHEET 1 OF 1



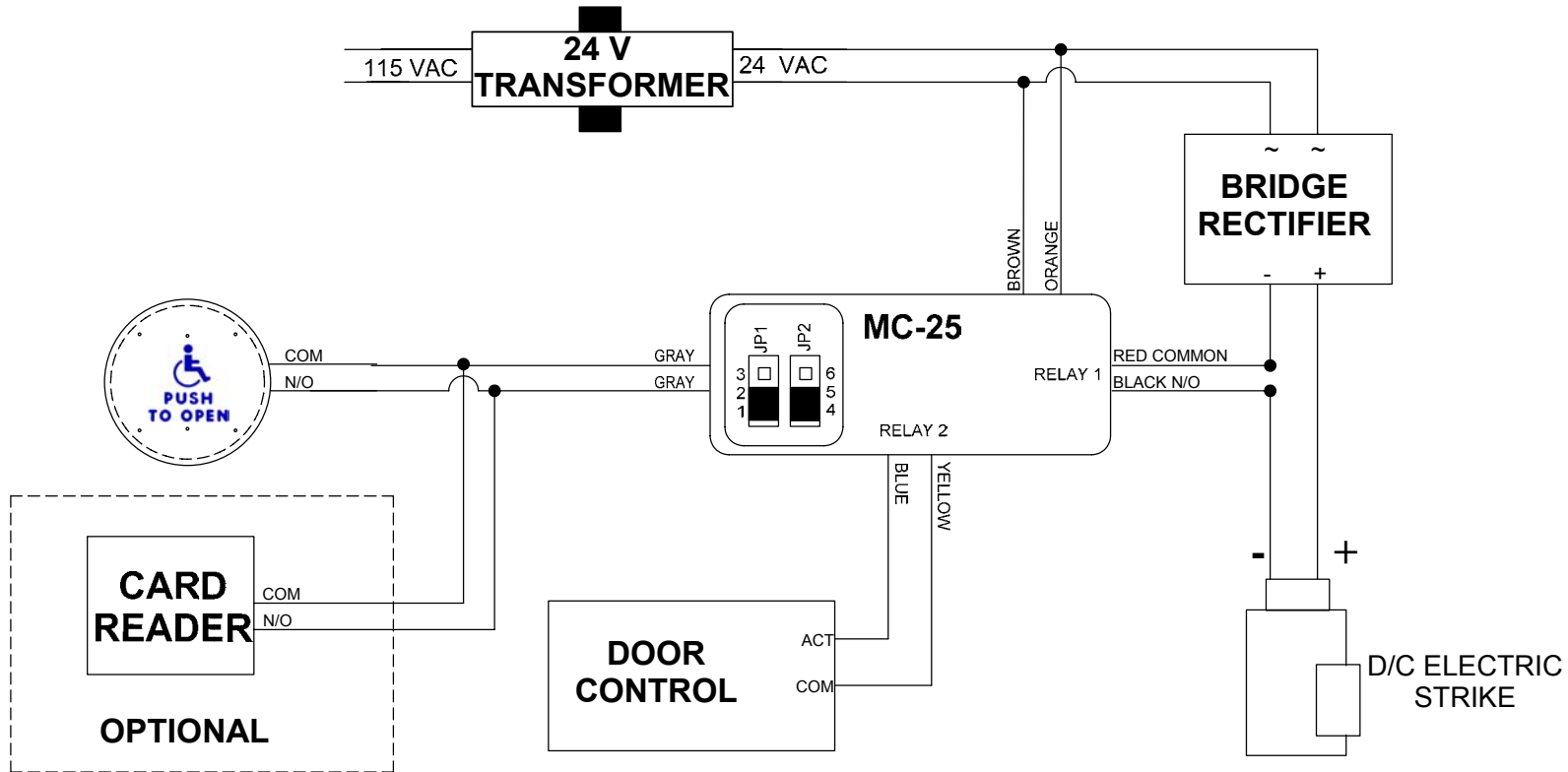
NOTES: 1) JUMPERS JP1 & JP2 ARE PLACED ON PINS 1,2 AND 4,5 FOR DRY CONTACTS.
 2) TYPE OF RELAY WILL BE DETERMINED BY MAGLOCK VOLTAGE (12 OR 24 VOLTS).

IF AFTER TROUBLESHOOTING A PROBLEM, A SATISFACTORY SOLUTION CANNOT BE ACHIEVED, PLEASE CALL B.E.A., INC. FOR FURTHER ASSISTANCE DURING EASTERN STANDARD TIME AT 1-800-523-2462 FROM 8AM - 5PM. FOR AFTER-HOURS, CALL EAST COAST: 1-866-836-1863 OR 1-800-407-4545 / MID-WEST: 1-888-308-8843 / WEST COAST: 1-888-419-2564. DO NOT LEAVE ANY PROBLEM UNRESOLVED. IF YOU MUST WAIT FOR THE FOLLOWING WORKDAY TO CALL B.E.A., LEAVE THE DOOR INOPERABLE UNTIL SATISFACTORY REPAIRS CAN BE MADE. NEVER SACRIFICE THE SAFE OPERATION OF THE AUTOMATIC DOOR OR GATE FOR AN INCOMPLETE SOLUTION. WEB: WWW.BEASENSORS.COM

BEA
 We open up New Horizons
 HALMA GROUP COMPANY
 100 ENTERPRISE DRIVE
 PITTSBURGH, PA 15275
 PHONE: (412) 249-4100
 FAX: (412) 249-4101
 EMAIL: www.beasensors.com

TITLE: MC-25 WITH RECEIVERS, SEPARATE POWER SUPPLY FOR MAGLOCK, NIGHT MODE RELAY

SIZE: A	DRAWN BY: KJG	REV BY: KJG	PART NO: 80.0020.02
	SCALE: NONE	DATE: 18 MAY 2005	SHEET 1 OF 1



- NOTES: 1) JUMPERS ARE PLACED ON J1 PINS 1&2, J2 PINS 4&5 FOR DRY CONTACTS ON RELAY OUTPUT #2.
 2) PUSH PLATE, MOTION SENSOR, CARD READER MUST BE DRY CONTACT.
 3) TRANSFORMER VOLT/ AMPERE RATING IS DETERMINED BY CURRENT DRAW OF ELECTRIC STRIKE.

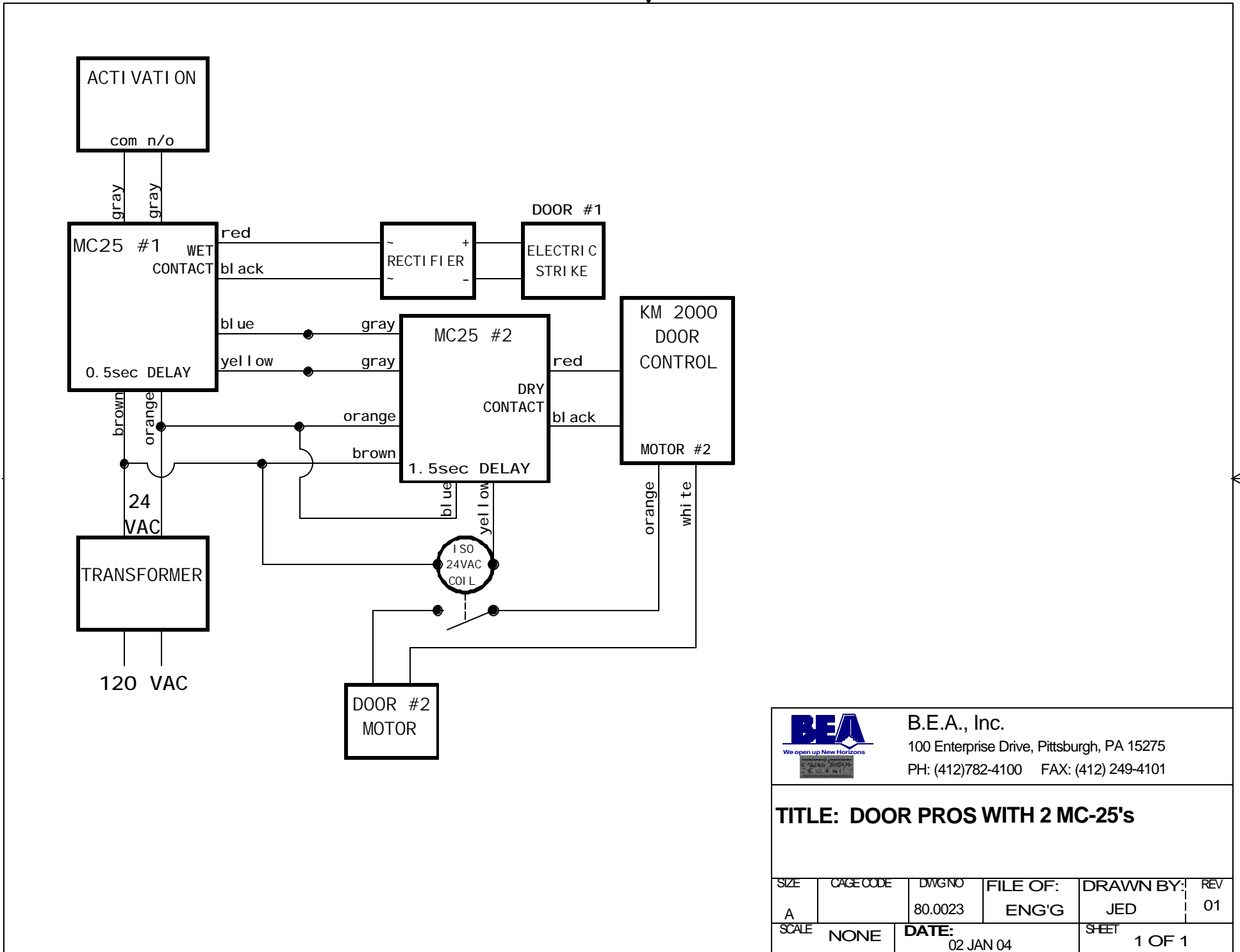
IF AFTER TROUBLESHOOTING A PROBLEM, A SATISFACTORY SOLUTION CANNOT BE ACHIEVED, PLEASE CALL B.E.A., INC. FOR FURTHER ASSISTANCE DURING EASTERN STANDARD TIME AT 1-800-523-2462 FROM 8AM - 5PM. FOR AFTER-HOURS, CALL EAST COAST: 1-866-836-1863 OR 1-800-407-4545 / MID-WEST: 1-888-308-8843 / WEST COAST: 1-888-419-2564. DO NOT LEAVE ANY PROBLEM UNRESOLVED. IF YOU MUST WAIT FOR THE FOLLOWING WORKDAY TO CALL B.E.A., LEAVE THE DOOR INOPERABLE UNTIL SATISFACTORY REPAIRS CAN BE MADE. NEVER SACRIFICE THE SAFE OPERATION OF THE AUTOMATIC DOOR OR GATE FOR AN INCOMPLETE SOLUTION. WEB: WWW.BEASENSORS.COM



100 ENTERPRISE DRIVE
 PITTSBURGH, PA 15275
 PHONE: (412) 249-4100
 FAX: (412) 249-4101
 EMAIL: www.beasensors.com

**TITLE: MC-25 WITH ELECTRIC STRIKE,
 AUTOMATIC DOOR APPLICATION**

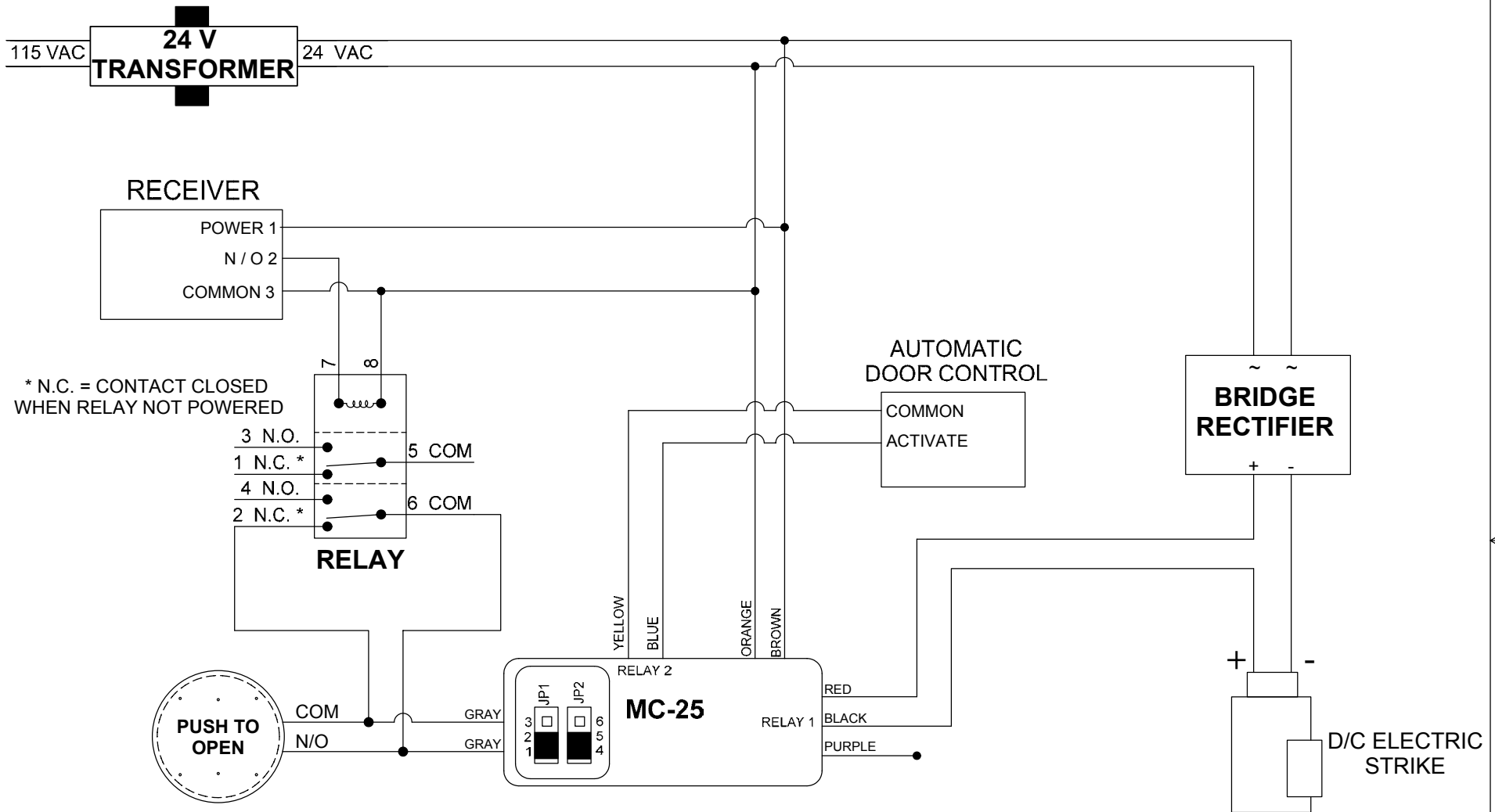
SIZE: A	DRAWN BY: KJG	REV BY: KJG	PART NO: 80.0022.02
	SCALE: NONE	DATE: 19 MAY 2005	SHEET 1 OF 1



B.E.A., Inc.
 100 Enterprise Drive, Pittsburgh, PA 15275
 PH: (412)782-4100 FAX: (412) 249-4101

TITLE: DOOR PROS WITH 2 MC-25's

SIZE	CAGE CODE	DWGNO	FILE OF:	DRAWN BY:	REV
A		80.0023	ENG'G	JED	01
SCALE	NONE	DATE:	SHEET		
		02 JAN 04	1 OF 1		



- NOTES: 1) JUMPERS ARE PLACED ON J1 PINS 1&2, J2 PINS 4&5 FOR DRY CONTACTS ON RELAY OUTPUT #2.
 2) PUSH PLATE, MOTION SENSOR, CARD READER MUST BE DRY CONTACT.
 3) TRANSFORMER AND BRIDGE RECTIFIER VOLT/ AMPERE RATING IS DETERMIND BY CURRENT DRAW OF ELECTRIC STRIKE.

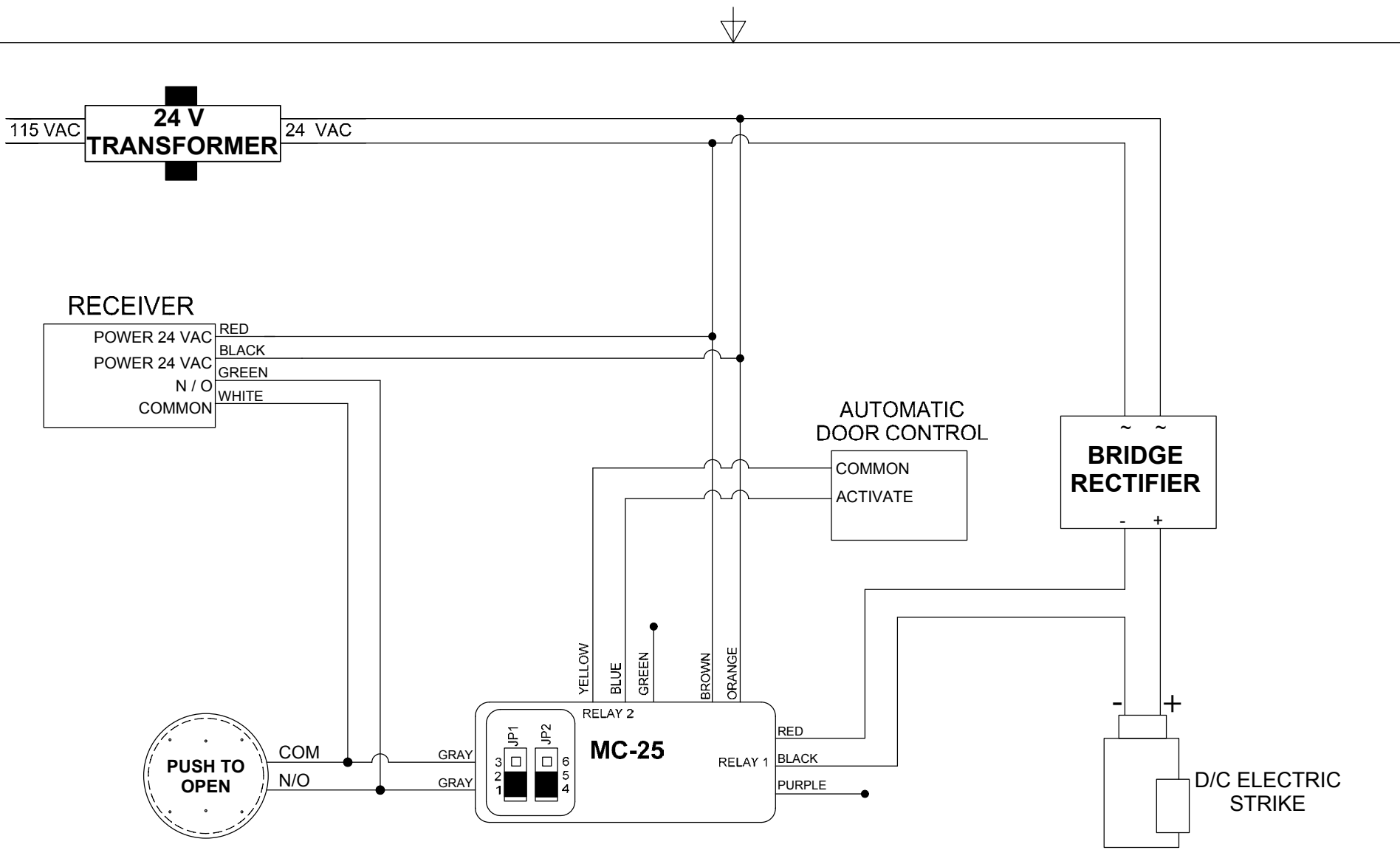
IF AFTER TROUBLESHOOTING A PROBLEM, A SATISFACTORY SOLUTION CANNOT BE ACHIEVED, PLEASE CALL B.E.A., INC. FOR FURTHER ASSISTANCE DURING EASTERN STANDARD TIME AT 1-800-523-2462 FROM 8AM - 5PM. FOR AFTER-HOURS, CALL EAST COAST: 1-866-836-1863 OR 1-800-407-4545 / MID-WEST: 1-888-308-8843 / WEST COAST: 1-888-419-2564. DO NOT LEAVE ANY PROBLEM UNRESOLVED. IF YOU MUST WAIT FOR THE FOLLOWING WORKDAY TO CALL B.E.A., LEAVE THE DOOR INOPERABLE UNTIL SATISFACTORY REPAIRS CAN BE MADE. NEVER SACRIFICE THE SAFE OPERATION OF THE AUTOMATIC DOOR OR GATE FOR AN INCOMPLETE SOLUTION.WEB: WWW.BEASENSORS.COM



100 ENTERPRISE DRIVE
 PITTSBURGH, PA 15275
 PHONE: (412) 249-4100
 FAX: (412) 249-4101
 EMAIL: www.beasensors.com

**TITLE: MC-25 WITH 3 WIRE RECEIVER,
 ELECTRIC STRIKE, PUSHPLATE
 AUTOMATIC DOOR APPLICATION**

SIZE: A	DRAWN BY: KJG	REV BY: TUC	PART NO: 80.0135.02
	SCALE: NONE	DATE: 23 NOV 2005	SHEET 1 OF 1



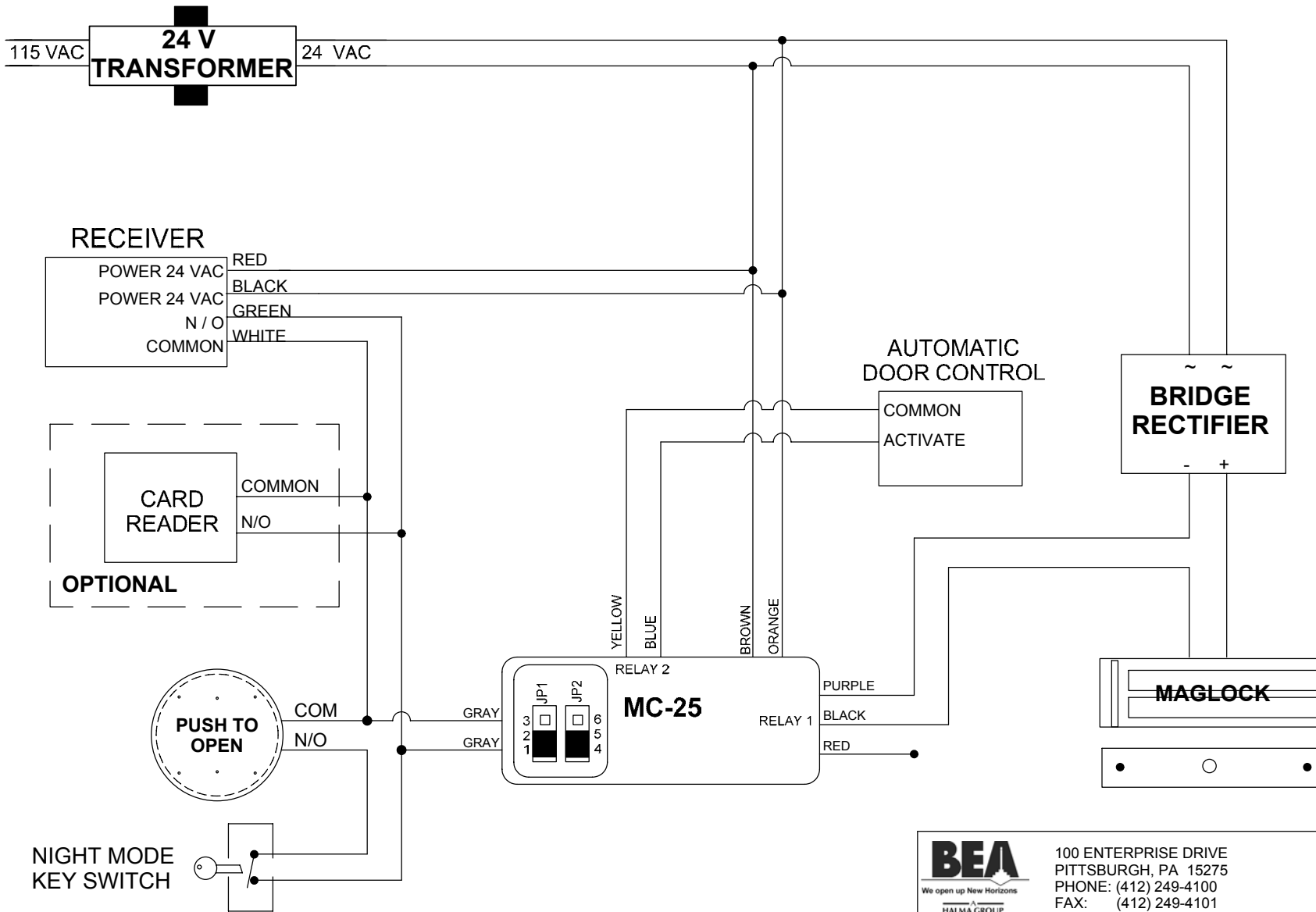
- NOTES: 1) JUMPERS ARE PLACED ON J1 PINS 1&2, J2 PINS 4&5 FOR DRY CONTACTS ON RELAY OUTPUT #2.
 2) PUSH PLATE, MOTION SENSOR, CARD READER MUST BE DRY CONTACT.
 3) TRANSFORMER AND BRIDGE RECTIFIER VOLT/ AMPERE RATING IS DETERMIND BY CURRENT DRAW OF ELECTRIC STRIKE.

IF AFTER TROUBLESHOOTING A PROBLEM, A SATISFACTORY SOLUTION CANNOT BE ACHIEVED, PLEASE CALL B.E.A., INC. FOR FURTHER ASSISTANCE DURING EASTERN STANDARD TIME AT 1-800-523-2462 FROM 8AM - 5PM. FOR AFTER-HOURS, CALL EAST COAST: 1-866-836-1863 OR 1-800-407-4545 / MID-WEST: 1-888-308-8843 / WEST COAST: 1-888-419-2564. DO NOT LEAVE ANY PROBLEM UNRESOLVED. IF YOU MUST WAIT FOR THE FOLLOWING WORKDAY TO CALL B.E.A., LEAVE THE DOOR INOPERABLE UNTIL SATISFACTORY REPAIRS CAN BE MADE. NEVER SACRIFICE THE SAFE OPERATION OF THE AUTOMATIC DOOR OR GATE FOR AN INCOMPLETE SOLUTION.WEB: WWW.BEASENSORS.COM

BEA
 We open up New Horizons
 HALMA GROUP COMPANY
 100 ENTERPRISE DRIVE
 PITTSBURGH, PA 15275
 PHONE: (412) 249-4100
 FAX: (412) 249-4101
 EMAIL: www.beasensors.com

TITLE: MC-25 WITH RECEIVER, ELECTRIC STRIKE, PUSHPLATE AUTOMATIC DOOR APPLICATION

SIZE: A	DRAWN BY: KJG	REV BY: TUC	PART NO: 80.0138.02
	SCALE: NONE	DATE: 23 NOV 2005	SHEET 1 OF 1



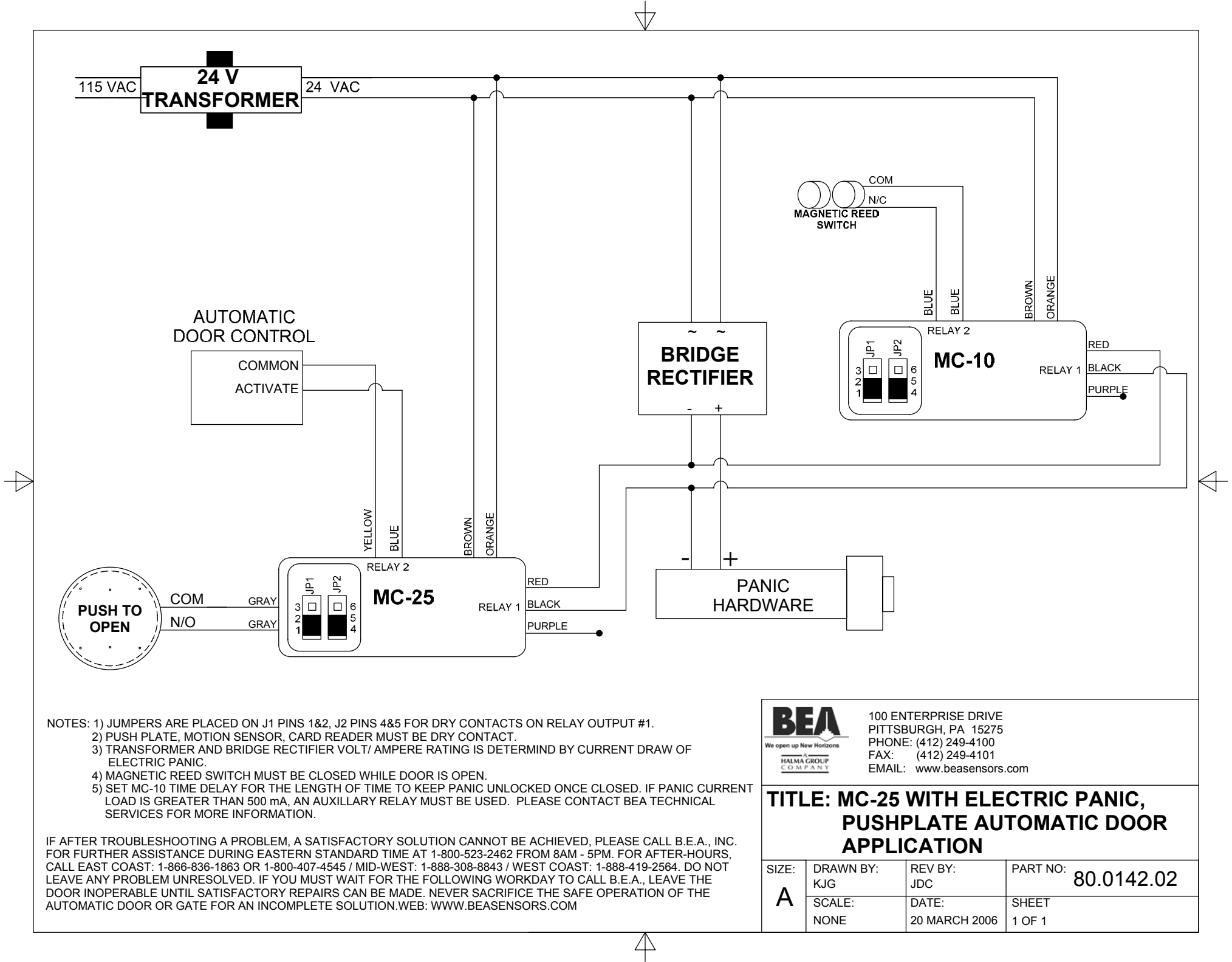
- NOTES: 1) JUMPERS ARE PLACED ON J1 PINS 1&2, J2 PINS 4&5 FOR DRY CONTACTS ON RELAY OUTPUT #1.
 2) PUSH PLATE, MOTION SENSOR, CARD READER MUST BE DRY CONTACT.
 3) TRANSFORMER AND BRIDGE RECTIFIER VOLT/ AMPERE RATING IS DETERMIND BY CURRENT DRAW OF MAGNETIC LOCK.

IF AFTER TROUBLESHOOTING A PROBLEM, A SATISFACTORY SOLUTION CANNOT BE ACHIEVED, PLEASE CALL B.E.A., INC. FOR FURTHER ASSISTANCE DURING EASTERN STANDARD TIME AT 1-800-523-2462 FROM 8AM - 5PM. FOR AFTER-HOURS, CALL EAST COAST: 1-866-836-1863 OR 1-800-407-4545 / MID-WEST: 1-888-308-8843 / WEST COAST: 1-888-419-2564. DO NOT LEAVE ANY PROBLEM UNRESOLVED. IF YOU MUST WAIT FOR THE FOLLOWING WORKDAY TO CALL B.E.A., LEAVE THE DOOR INOPERABLE UNTIL SATISFACTORY REPAIRS CAN BE MADE. NEVER SACRIFICE THE SAFE OPERATION OF THE AUTOMATIC DOOR OR GATE FOR AN INCOMPLETE SOLUTION.WEB: WWW.BEASENSORS.COM

BEA
 We open up New Horizons
 HALMA GROUP COMPANY
 100 ENTERPRISE DRIVE
 PITTSBURGH, PA 15275
 PHONE: (412) 249-4100
 FAX: (412) 249-4101
 EMAIL: www.beasensors.com


TITLE: MC-25 WITH RECEIVER, MAGNETIC LOCK, PUSHPLATE AUTOMATIC DOOR APPLICATION

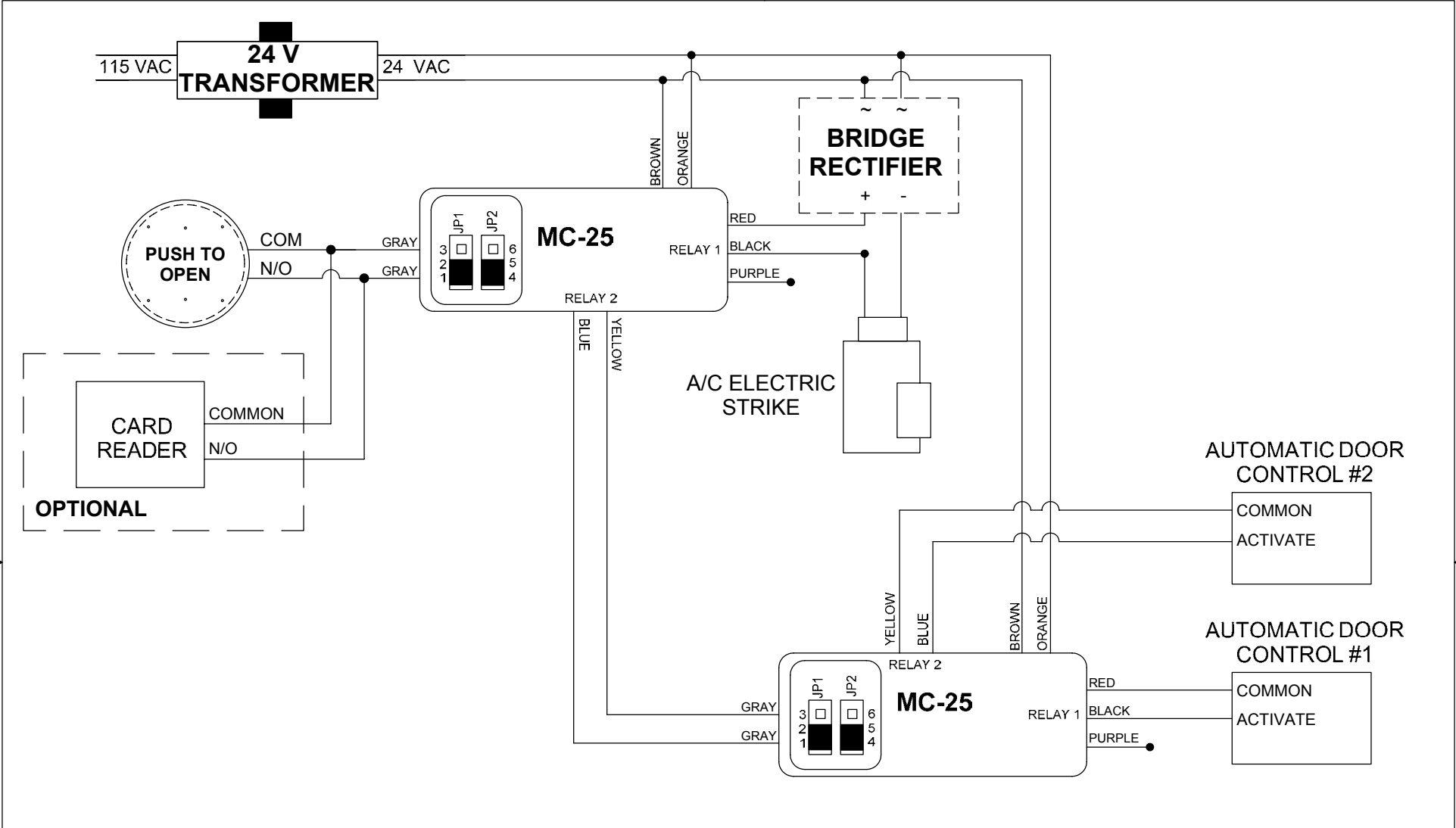
SIZE: A	DRAWN BY: KJG	REV BY: KJG	PART NO: 80.0140.02
	SCALE: NONE	DATE: 15 NOV 2005	SHEET 1 OF 1



- NOTES: 1) JUMPERS ARE PLACED ON J1 PINS 1&2, J2 PINS 4&5 FOR DRY CONTACTS ON RELAY OUTPUT #1.
 2) PUSH PLATE, MOTION SENSOR, CARD READER MUST BE DRY CONTACT.
 3) TRANSFORMER AND BRIDGE RECTIFIER VOLT/ AMPERE RATING IS DETERMIND BY CURRENT DRAW OF ELECTRIC PANIC.
 4) MAGNETIC REED SWITCH MUST BE CLOSED WHILE DOOR IS OPEN.
 5) SET MC-10 TIME DELAY FOR THE LENGTH OF TIME TO KEEP PANIC UNLOCKED ONCE CLOSED. IF PANIC CURRENT LOAD IS GREATER THAN 500 mA, AN AUXILLARY RELAY MUST BE USED. PLEASE CONTACT BEA TECHNICAL SERVICES FOR MORE INFORMATION.

IF AFTER TROUBLESHOOTING A PROBLEM, A SATISFACTORY SOLUTION CANNOT BE ACHIEVED, PLEASE CALL B.E.A., INC. FOR FURTHER ASSISTANCE DURING EASTERN STANDARD TIME AT 1-800-523-2462 FROM 8AM - 5PM. FOR AFTER-HOURS, CALL EAST COAST: 1-866-836-1863 OR 1-800-407-4545 / MID-WEST: 1-888-308-8843 / WEST COAST: 1-888-419-2564. DO NOT LEAVE ANY PROBLEM UNRESOLVED. IF YOU MUST WAIT FOR THE FOLLOWING WORKDAY TO CALL B.E.A., LEAVE THE DOOR INOPERABLE UNTIL SATISFACTORY REPAIRS CAN BE MADE. NEVER SACRIFICE THE SAFE OPERATION OF THE AUTOMATIC DOOR OR GATE FOR AN INCOMPLETE SOLUTION.WEB: WWW.BEASENSORS.COM

		100 ENTERPRISE DRIVE PITTSBURGH, PA 15275 PHONE: (412) 249-4100 FAX: (412) 249-4101 EMAIL: www.beasensors.com	
<p>TITLE: MC-25 WITH ELECTRIC PANIC, PUSHPLATE AUTOMATIC DOOR APPLICATION</p>			
SIZE: A	DRAWN BY: KJG	REV BY: JDC	PART NO: 80.0142.02
	SCALE: NONE	DATE: 20 MARCH 2006	SHEET 1 OF 1



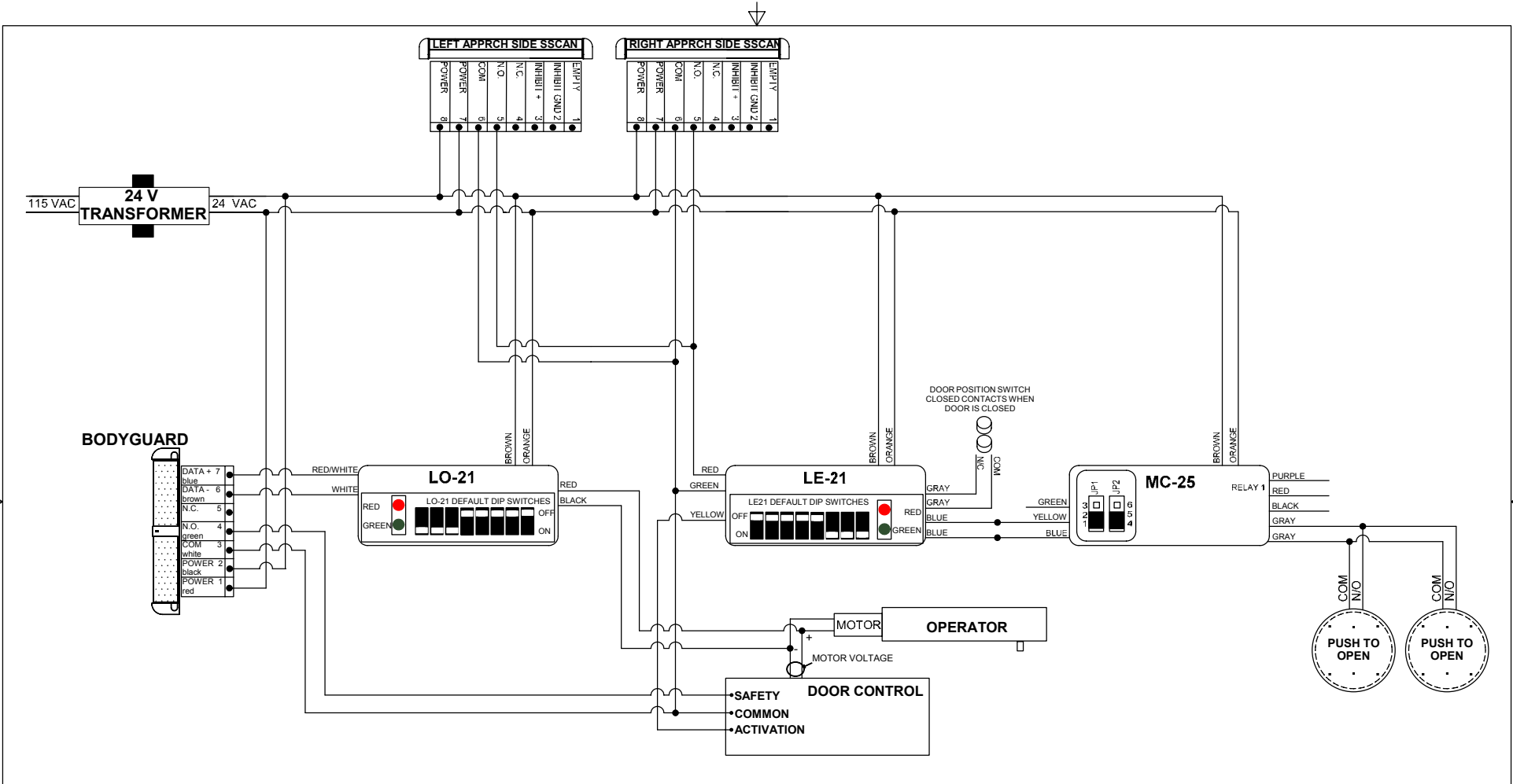
- NOTES: 1) JUMPERS ARE PLACED ON J1 PINS 1&2, J2 PINS 4&5 FOR DRY CONTACTS ON RELAY OUTPUT #1.
 2) PUSH PLATE, MOTION SENSOR, CARD READER MUST BE DRY CONTACT.
 3) TRANSFORMER VOLT/ AMPERE RATING IS DETERMIND BY CURRENT DRAW OF ELECTRIC STRIKE.

IF AFTER TROUBLESHOOTING A PROBLEM, A SATISFACTORY SOLUTION CANNOT BE ACHIEVED, PLEASE CALL B.E.A., INC. FOR FURTHER ASSISTANCE DURING EASTERN STANDARD TIME AT 1-800-523-2462 FROM 8AM - 5PM. FOR AFTER-HOURS, CALL EAST COAST: 1-866-836-1863 OR 1-800-407-4545 / MID-WEST: 1-888-308-8843 / WEST COAST: 1-888-419-2564. DO NOT LEAVE ANY PROBLEM UNRESOLVED. IF YOU MUST WAIT FOR THE FOLLOWING WORKDAY TO CALL B.E.A., LEAVE THE DOOR INOPERABLE UNTIL SATISFACTORY REPAIRS CAN BE MADE. NEVER SACRIFICE THE SAFE OPERATION OF THE AUTOMATIC DOOR OR GATE FOR AN INCOMPLETE SOLUTION. WEB: WWW.BEASENSORS.COM

BEA
 We open up New Horizons
 HALMA GROUP
 COMPANY
 100 ENTERPRISE DRIVE
 PITTSBURGH, PA 15275
 PHONE: (412) 249-4100
 FAX: (412) 249-4101
 EMAIL: www.beasensors.com

TITLE: 2 MC-25s WITH ELECTRIC STRIKE, SEQUENCING 2 DOOR PANELS

SIZE: A	DRAWN BY: KJG	REV BY: KJG	PART NO: 80.0147.02
	SCALE: NONE	DATE: 16 NOV 2005	SHEET 1 OF 1



NOTE: 1) ENSURE THAT A MINIMUM OF 3 SECONDS OF HOLD OPEN TIME IS LEFT ON THE LE-21.

IF AFTER TROUBLESHOOTING A PROBLEM, A SATISFACTORY SOLUTION CANNOT BE ACHIEVED, PLEASE CALL B.E.A., INC. FOR FURTHER ASSISTANCE DURING EASTERN STANDARD TIME AT 1-800-523-2462 FROM 8AM - 5PM. FOR AFTER-HOURS, CALL EAST COAST: 1-866-836-1863 OR 1-800-407-4545 / MID-WEST: 1-888-308-8843 / WEST COAST: 1-888-419-2564. DO NOT LEAVE ANY PROBLEM UNRESOLVED. IF YOU MUST WAIT FOR THE FOLLOWING WORKDAY TO CALL B.E.A., LEAVE THE DOOR INOPERABLE UNTIL SATISFACTORY REPAIRS CAN BE MADE. NEVER SACRIFICE THE SAFE OPERATION OF THE AUTOMATIC DOOR OR GATE FOR AN INCOMPLETE SOLUTION. WEB: WWW.BEASENSORS.COM

		100 ENTERPRISE DRIVE PITTSBURGH, PA 15275 PHONE: (412) 249-4100 FAX: (412) 249-4101 EMAIL: www.beasensors.com	
TITLE: MC-25, LE-21 WITH LO-21, BODYGUARD, APPROACH SIDE SUPERSkans			
SIZE: B	DRAWN BY: K/JG SCALE: NONE	REV BY: JDC DATE: 20 MARCH 2006	PART NO: 80.0164.02 SHEET: 1 OF 1